

CrystaLatch™ Polarization Switch

Product Description

The polarization switch can quickly switch the incoming SOP between two orthogonal SOPs. The input is PM fiber. the output could be either PM or SM fiber. For PM fiber, the polarizations is aligned with slow axis or fast axis.



Features

- No metal parts
- Low IL
- Miniature Size

Performance Specifications - High Frequency

High Frequency Sensor	Min	Typical	Max	Unit
Operating Wavelength	1520	1550	1580	nm
Polarization Sates*		0±0.5 or 90±0.5		°
Insertion Loss		0.45	0.7	dB
Return Loss	50			dB
Response Time			12	µs
Operation Temperature		0~70		°C

* At room temperature

Applications



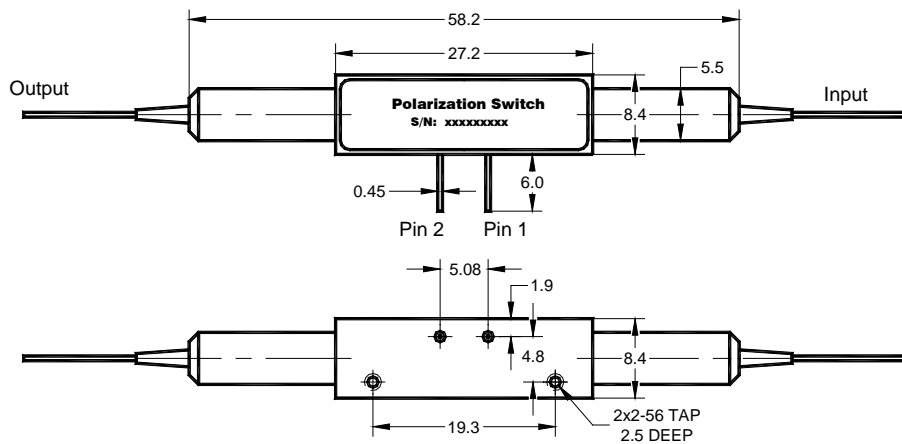
CrystaLatch™ Polarization Switch

Electrical Driving Information

The polarization switch is actuated by applying a voltage pulse. Applying one polarity pulse, The output light beam polarization is one status. Applying a reversed polarity pulse, The output light beam polarization is rotated by 90 degrees. The status is kept until the next pulse.

Parameter	Minimum	Typical	Maximum	Unit
Drive Voltage*	2.3	2.5	2.7*	V
Drive Current	110	140	195	mA
Pulse Duration	0.2	0.3	0.5	ms

Mechanical Dimensions (mm)



Ordering Information

Type	Configuration	Package	Wavelength	Fiber Type	Fiber Length	Connector	
CLPS- 1 1	1	1	1	1550nm=1 Panda PM=1 For input Special=0	Panda PM=1 SMF-28 =2 For output Special=0	0.25m=1 0.5m=2 1.0 m=3 Special=0	None=1 FC/PC=2 FC/APC= 3 SC/PC=4 SC/APC=5 ST/PC=6 LC/APC=7 Special=0